

符合RoHS指令要求
CONFORM TO RoHS INSTRUCTIONS

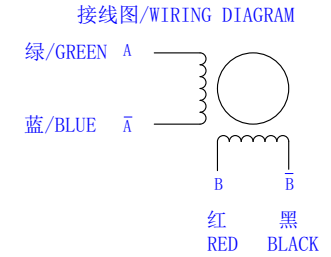
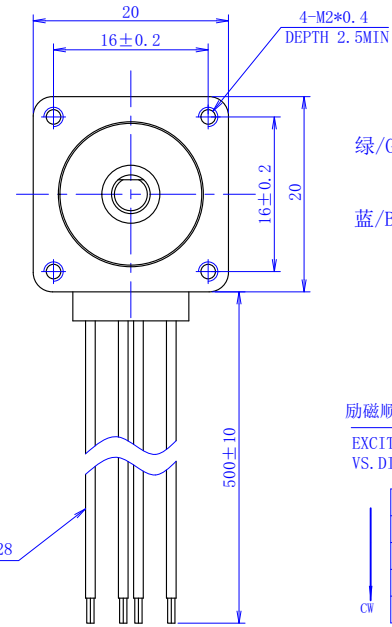
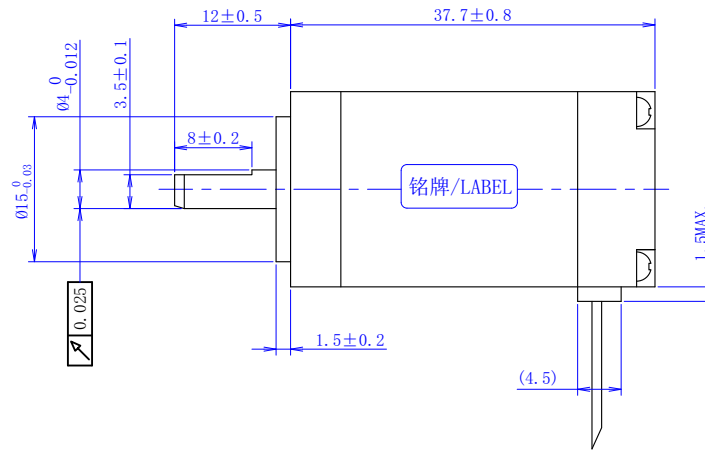
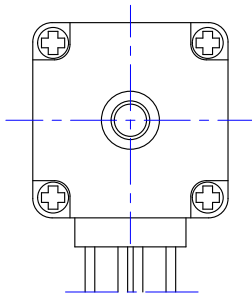
A

B

C

D

E



励磁顺序(2相励磁)VS. 旋转方向
EXCITING SEQUENCE (TWO PHASES)
VS. DIRECTION OF ROTATION

STEP	A	B	\bar{A}	\bar{B}	
1	+	+	-	-	CCW
2	-	+	+	-	
3	-	-	+	+	CW
4	+	-	-	+	

从安装面看为顺时针方向
CLOCK WISE VIEW FROM MOUNTING SIDE

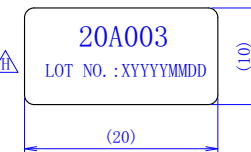
电气特性参数/ELECTRICAL PARAMETER

步进角/STEP ANGLE	1.8° ±5%	
相数 /NO. OF PHASES	2	
额定电压/RATED VOLTAGE	4.4 V	△ △
额定电流/RATED CURRENT	0.4 A	△ △
电阻 /RESISTANCE	11 ohm±10% AT 25° C	△ △
电感 /INDUCTANCE	3.3 mH±20% AT 1kHz, 1Vrms	△ △
保持力矩/HOLDING TORQUE	0.025N.m (3.5oz. in) 以上/MIN. 注/NOTE)1	△ △
运行力矩 (AT --PPS) RUNNING TORQUE (AT --PPS)	--- 以上/MIN. (--V. DC, --A/相 (PHASE), --相励磁/EX)	
绝缘耐压/DIELECTRIC STRENGTH	500V A.C 1分钟/MINUTE	
绝缘电阻/INSULATION RESISTANCE	100 MΩ 以上/MIN.	
绝缘等级/INSULATION CLASS	CLASS B	
温度上升/TEMPERATURE RISE	80K MAX. 注/NOTE)2	
转子惯量/ROTOR INERTIA	3.6g. cm ² (0.02oz. in ²)	
重量 /WEIGHT	约/APPROX. 75克/g (2.63oz)	
允许轴向负载/ALLOWABLE THRUST LOAD	2N	
允许径向负载/ALLOWABLE RADIAL LOAD	20N (ON THE SHAFT END)	
运行环境温度/OPERATION AMBIENT TEMP	-20° C----+50° C	
运行环境湿度/OPERATION AMBIENT HUM	15%----90%	
寿命 /LIFE	5000小时/HOURS 注/NOTE)3	

备注/NOTE):

1. 额定电流, 两相同时通电/AT RATED CURRENT, TWO PHASES ON.
2. 热阻法: 电机安装在60*60*T5的铝板上, 电机线圈两端通额定电压, OPSS /MEASURED BY RESISTANCE METHOD. MOUNT WITH ALUMINUM HEAT SINK 60*60*T5 AT TWO WINDING BE EXCITED BY RATED VOLTAGE, OPSS, 2PHASE ON.
3. 寿命测试条件: 整步, 运行速度为500PPS, 轴承的表面温度不超过70° C
LIFE TEST CONDITION: 2PHASE EXCITING, FULL STEP, AT 500PPS. STARTING PULSE, BEARING TEMPERATURE SHOULD BE 70° C MAX.

铭牌/LABEL



已受控

黑色端盖/BLACK ENDBELL

CONFIRMED&ACCEPTED BY CUSTOMER (客户确认&接受)	K	2018-12-28	---	线型及线规变更	型号/MODEL
COMPANY CHOP&SIGNATURE (盖章&签名)	J	2018-01-05	---	引线变更	20A003
	I	2017-10-09	ECN-2017-0072	引线变更, 图面修正	
	A	2014-01-09	---	初版	
一般公差 TOLERANCE	±0.3/±3°	版本 REV.	年月日 DATE	变更内容 ECO NO.	变更内容 REVISIONS
制图/DRAWN	Ruitech/2018-12-28	比例 SCALE	2:1	品名 TITLE	步进电机规格书 STEPPING MOTOR SPECIFICATION
设计/DESIGNED	Ruitech/2018-12-28	单位 UNIT	mm		
审核/CHECKED					
承认/APPROVED					
				设计 BY	备注 NOTE
					REV. K
					三视图 THIRD ANGLE PROJECTION
					页 SHEET
					1/1